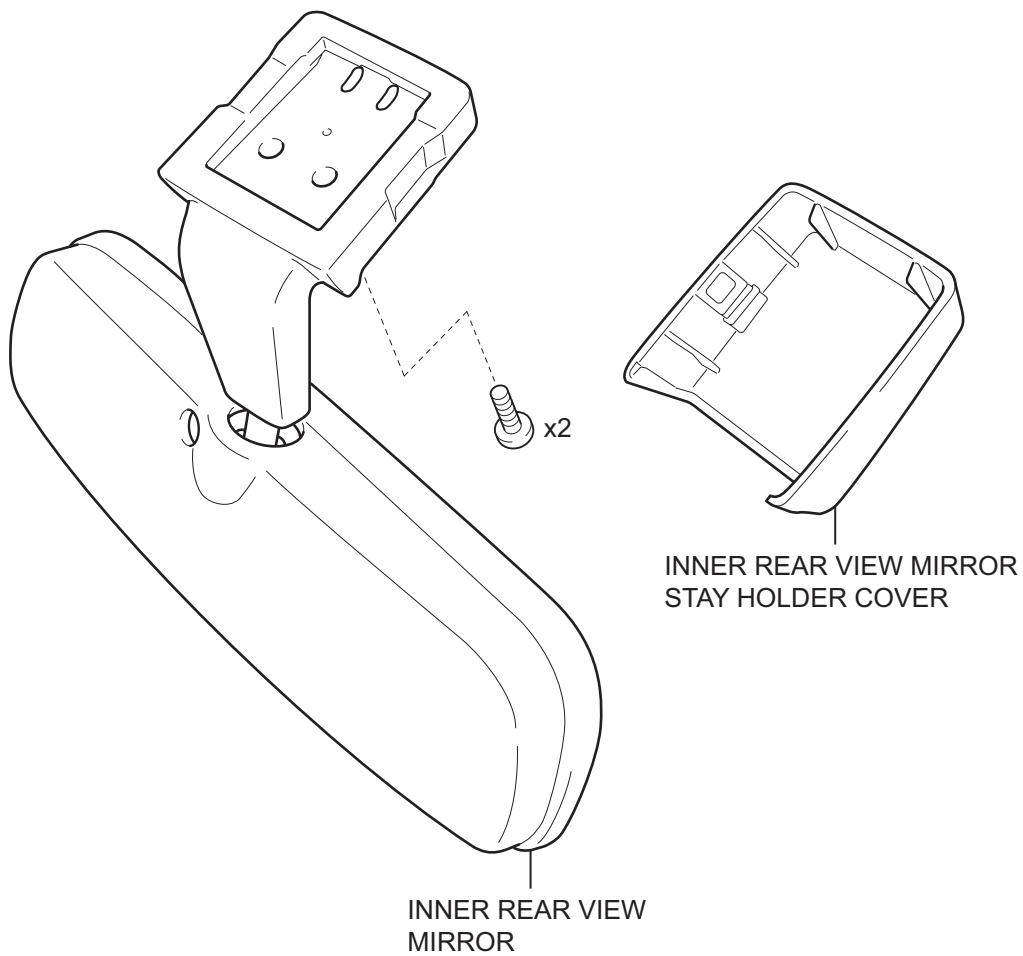


INNER REAR VIEW MIRROR

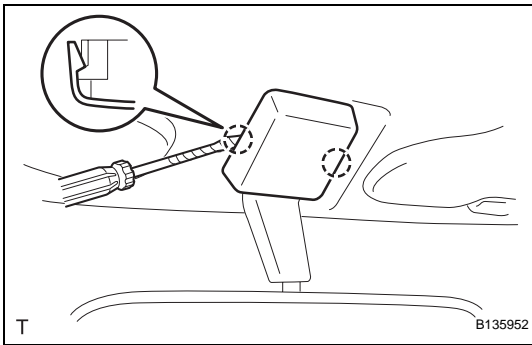
COMPONENTS



REMOVAL

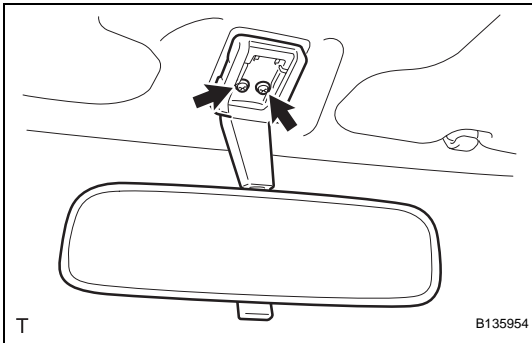
1. REMOVE INNER REAR VIEW MIRROR STAY HOLDER COVER

- (a) Using a screwdriver with its tip wrapped in protective tape, disengage the 2 claws and remove the inner rear view mirror stay holder cover.



2. REMOVE INNER REAR VIEW MIRROR

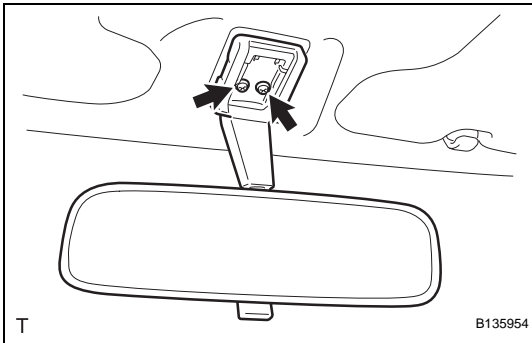
- (a) Remove the 2 screws and remove the inner rear view mirror.



INSTALLATION

1. INSTALL INNER REAR VIEW MIRROR

- (a) Install the inner rear view mirror with the 2 screws.



2. INSTALL INNER REAR VIEW MIRROR STAY HOLDER COVER

- (a) Engage the 2 claws and install the inner rear view mirror stay holder cover.

